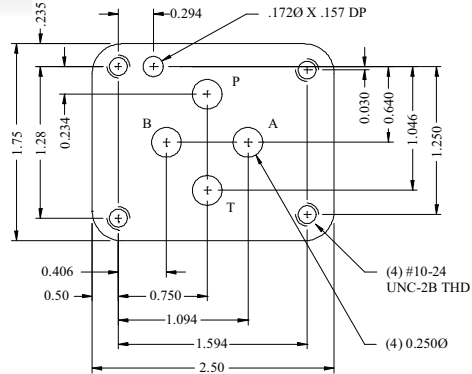
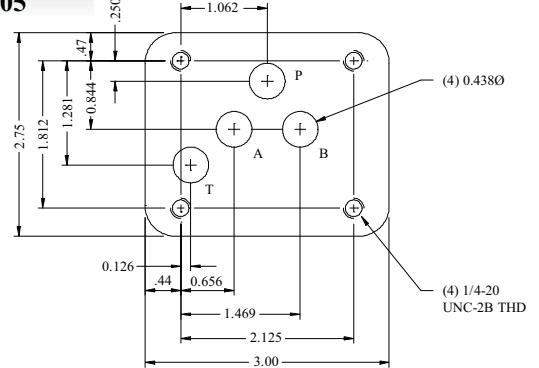


Valve Specifications

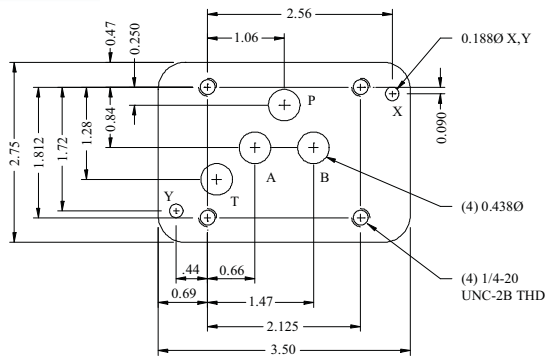
NFPA D03



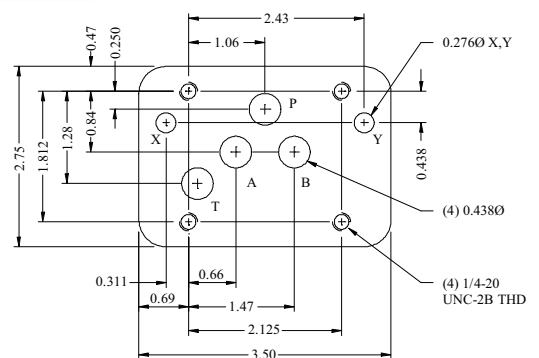
NFPA D05



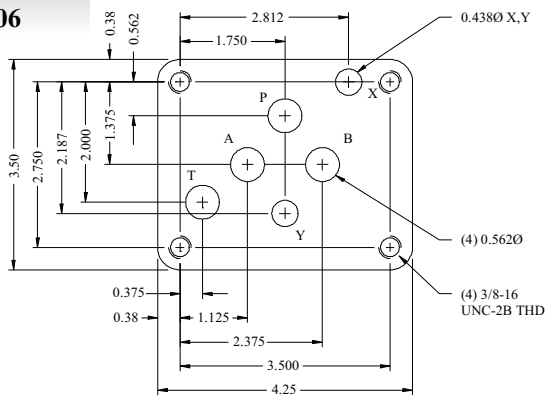
D05H



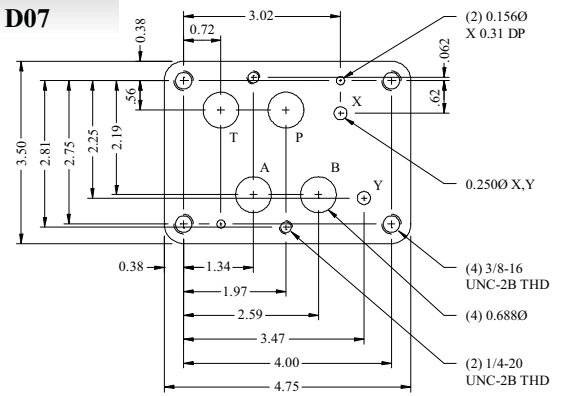
D05HE



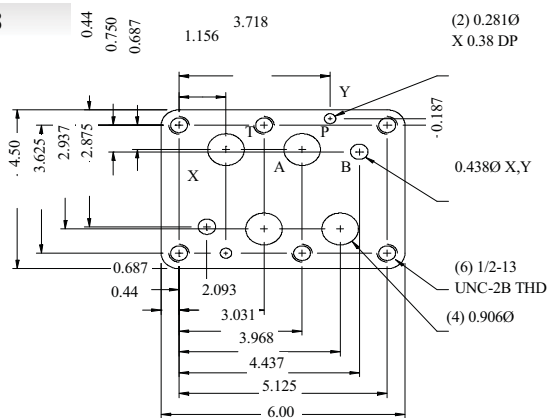
NFPA D06



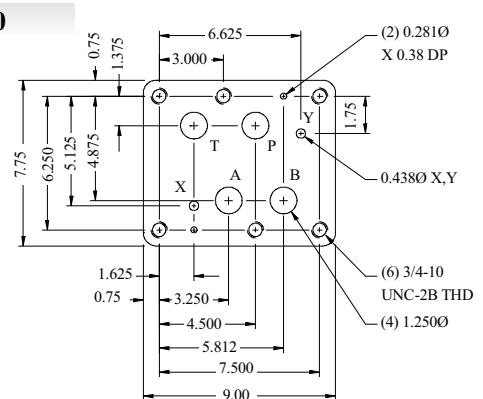
NFPA D07



NFPA D08

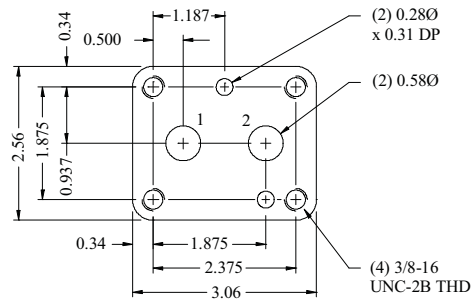


NFPA D10

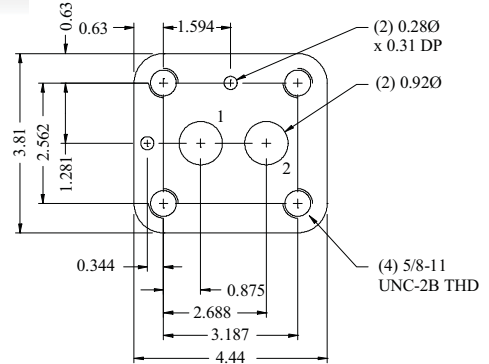


Valve Specifications

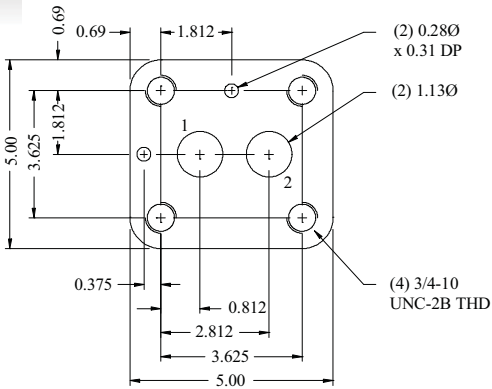
C03



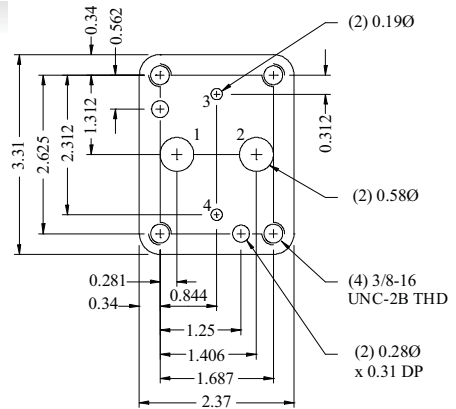
C06



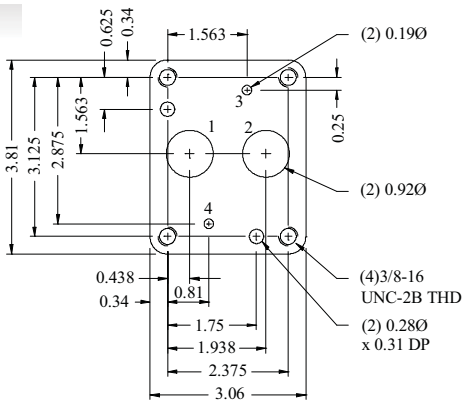
C10



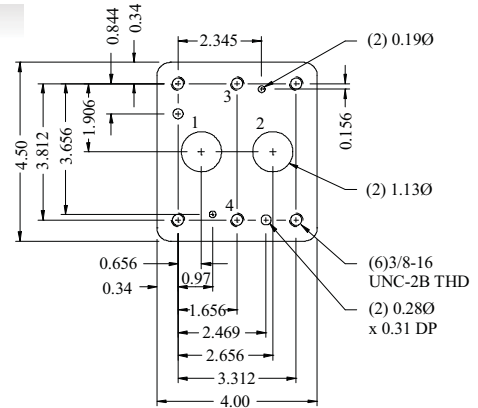
P06



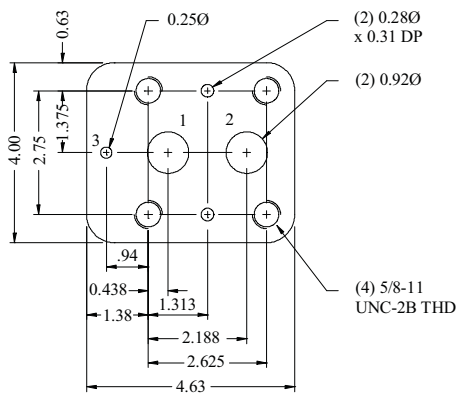
P08



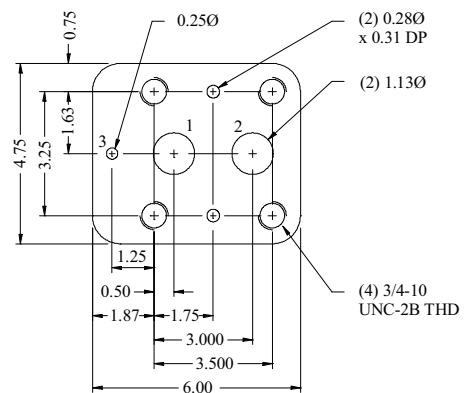
P10



R08

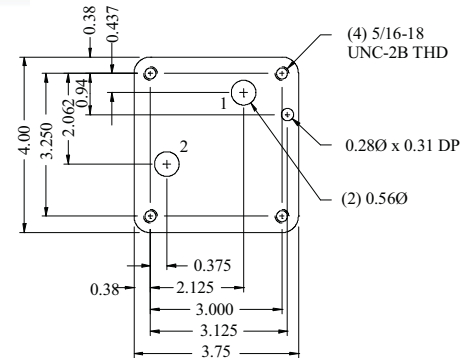


R10

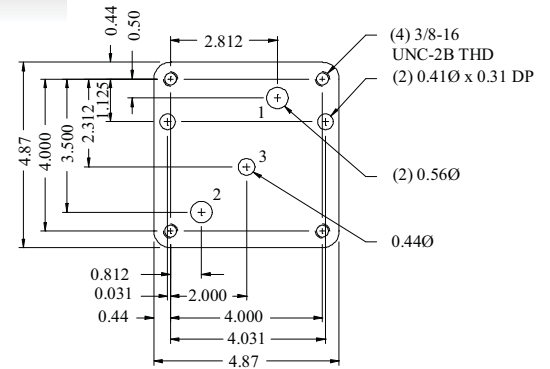


Valve Specifications

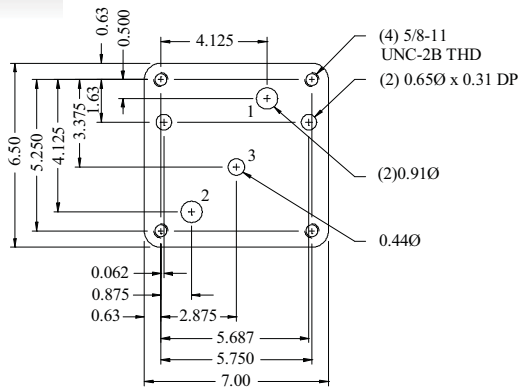
2F02



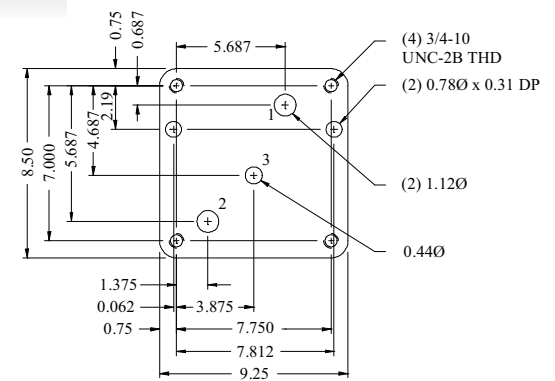
2F03



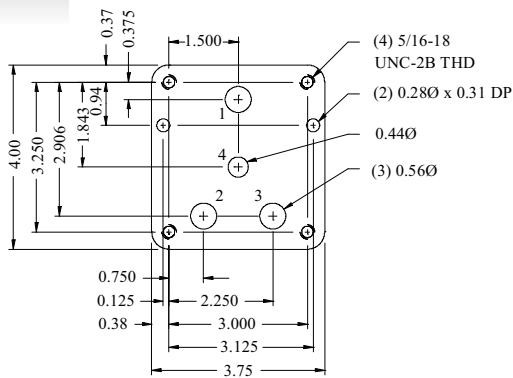
2F06



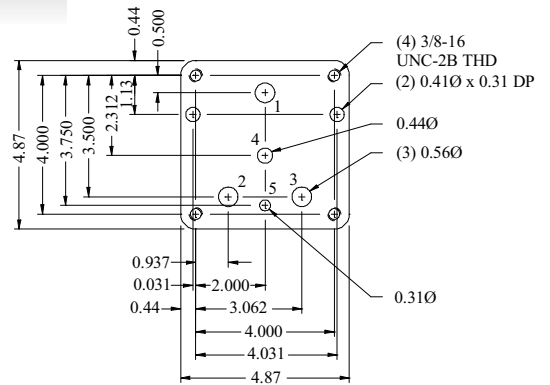
2F10



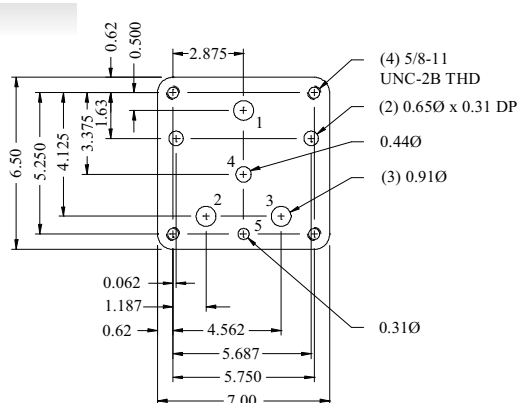
3F02



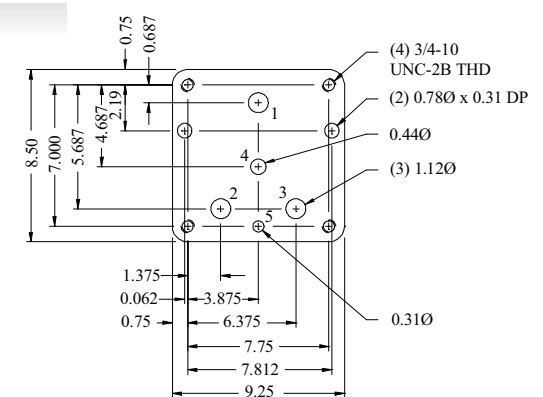
3F03



3F06

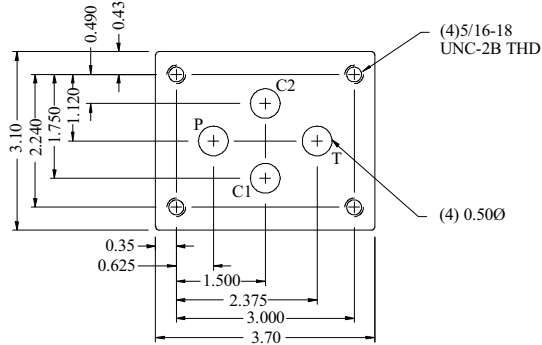


3F10

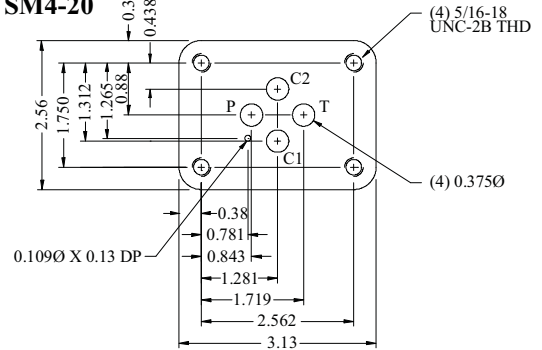


Valve Specifications

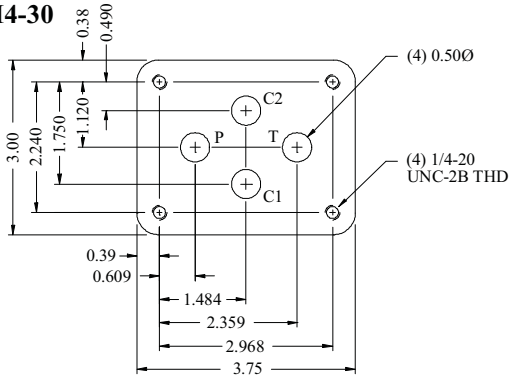
ATCHLEY CONTROLS 242



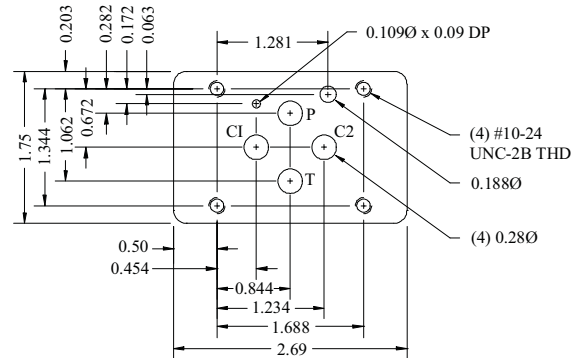
MOOG 62-100 SERIES / ATCHLEY CONTROLS 215A VICKERS SM4-20



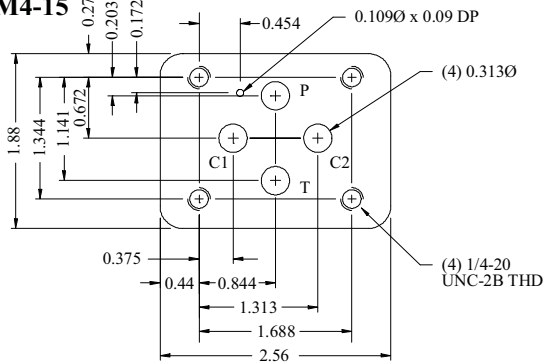
MOOG 62-300 SERIES / ATCHLEY CONTROLS 241 VICKERS SM4-30



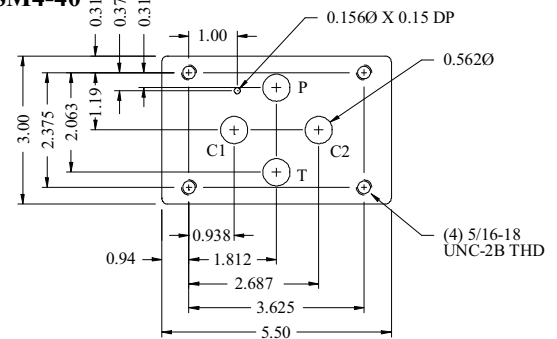
MOOG 772 / ATCHLEY CONTROLS 211A



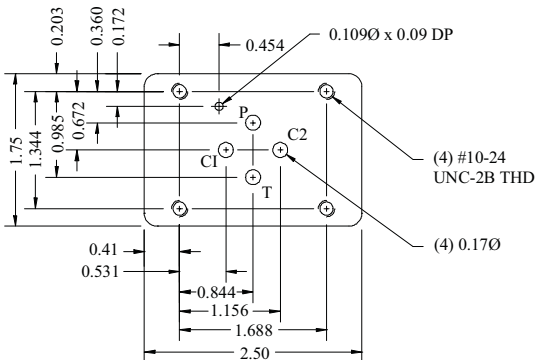
MOOG 773 / ATCHLEY CONTROLS 218 VICKERS SM4-15



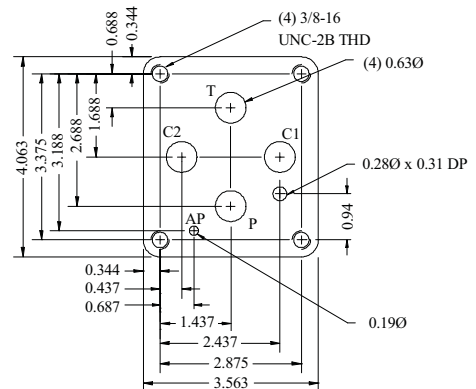
MOOG 78-100 SERIES / ATCHLEY CONTROLS 240 VICKERS SM4-40



MOOG 771 / ATCHLEY CONTROLS 206 / 208A VICKERS SM4-10

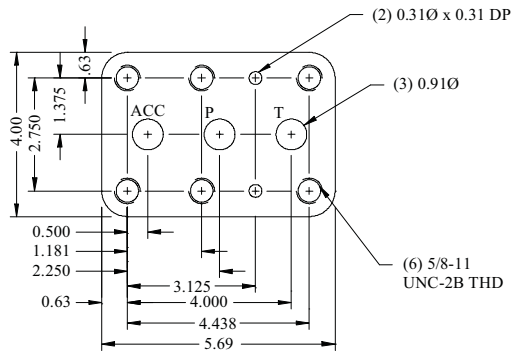


MOOG 72 / ATCHLEY CONTROLS 261

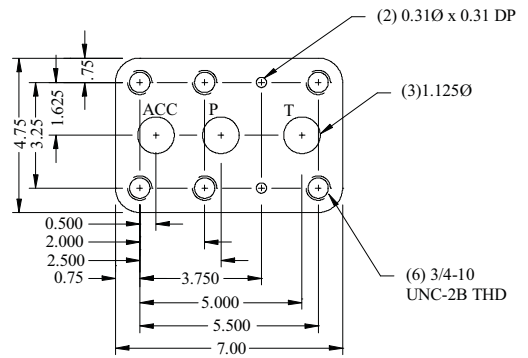


Valve Specifications

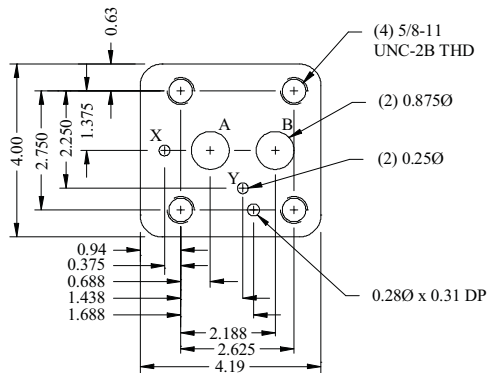
VICKERS URG06



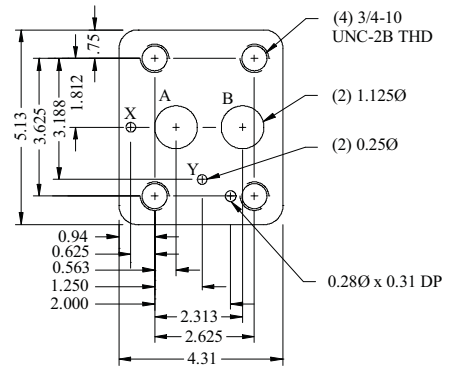
VICKERS URG10



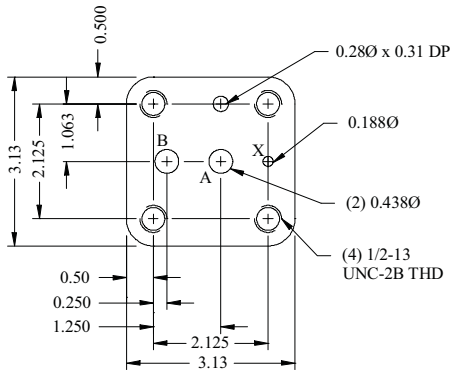
VICKERS CG06



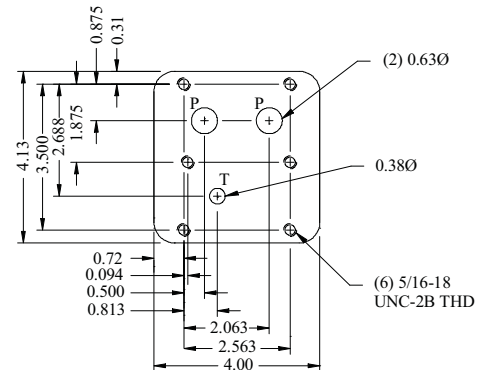
VICKERS CG10



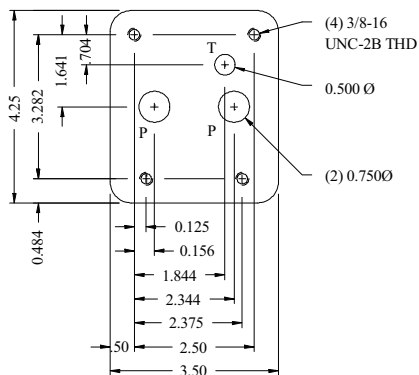
R06 / VICKERS CG03



SUNDSTRAND HOT OIL SHUTTLE 9510648



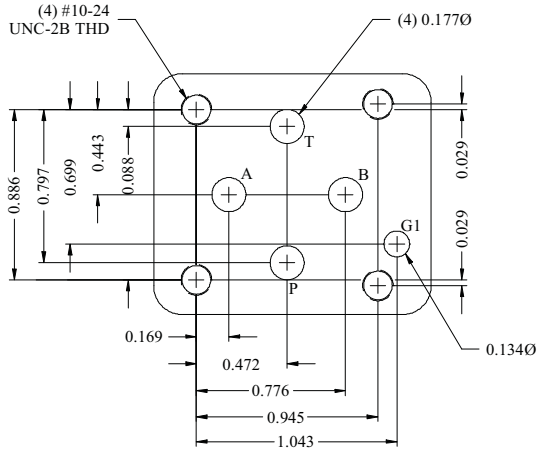
EATON HOT OIL SHUTTLE



Valve Specifications

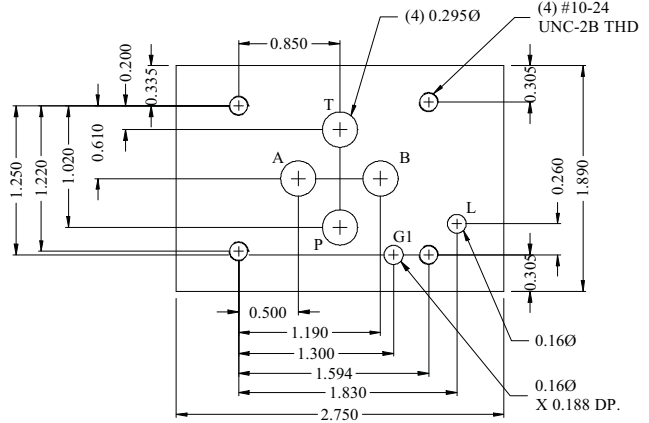
D02

ISO 4401-02-01-0-94
NFPA T3.5.1 R2 D02



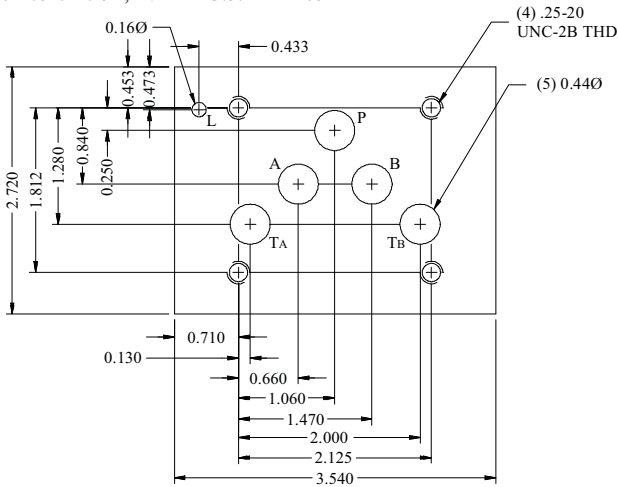
D03 with L

ISO 4401-03-02-0-94
NFPA T3.5.1 R2 D03



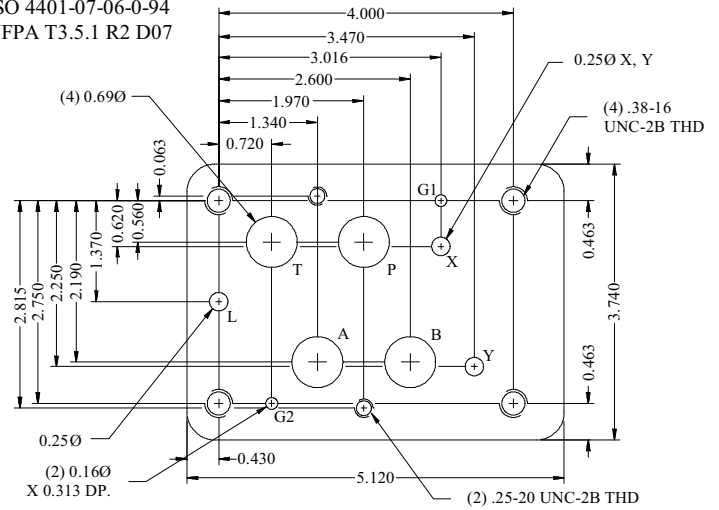
D05 with L

ISO 4401-05-04-0-94, NFPA T3.5.1 R2 D05



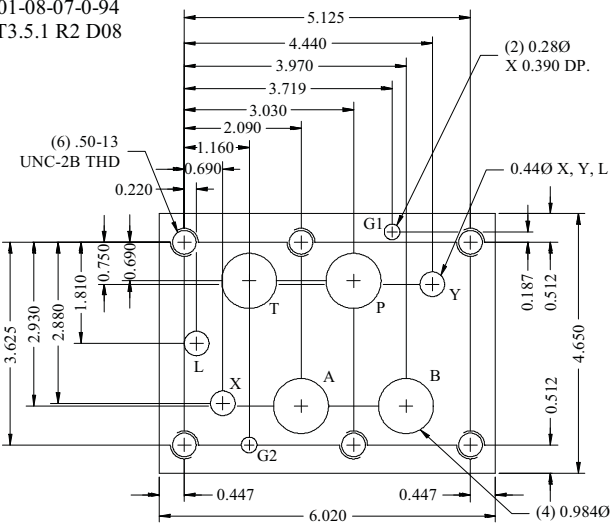
D07 with L

ISO 4401-07-06-0-94
NFPA T3.5.1 R2 D07



D08 with L

ISO 4401-08-07-0-94
NFPA T3.5.1 R2 D08



D10 with L

ISO 4401-10-08-0-94
NFPA T3.5.1 R2 D10

